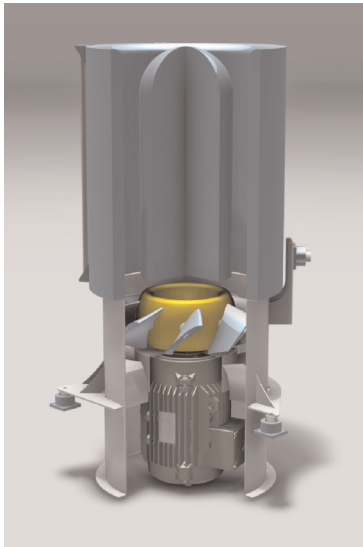


Fans

AFH Series

Multi-Purpose High Pressure Axial Fan Units



Low-noise design

High-quality components

Customized solutions

More than 10.000 units installed in 70 countries.

Applications :

- ° traction motor cooling
- ° brake resistors
- ° transformers / radiators
- ° traction equipments

Model AFH-45

Project : "Allegro" High-Speed Train (Alstom)

Service : Underframe Pressurization Plant

model	AFH-45
diameter	Ø450
rpm	2980
air flow	2,37 m3/s
static pressure	720 Pa
operating temperature	-50°C - +40 °C
rated power	7 kW
noise level at 1m	86 dB(A)
weight	120 kg
voltage	400 V
frequency	50 Hz
current	10 A
protection grade	IP 55
insulation class	H
motor applicable standards	EN60014 EN60349
fire and smoke applicable standards	NFF16101 – 102
welding applicable standards	EN15085 Cl.1
special features	"Materials suitable for low temperature (-50°C)Integrated noise insulatorCustomized AV mounting system"



Microelettrica Scientifica

Fans

AFH Series

AFH – High-Pressure Axial Fans

